

# DL-1820H

## 8" Vertical Architectural Frame-in-kit For HID Lamps

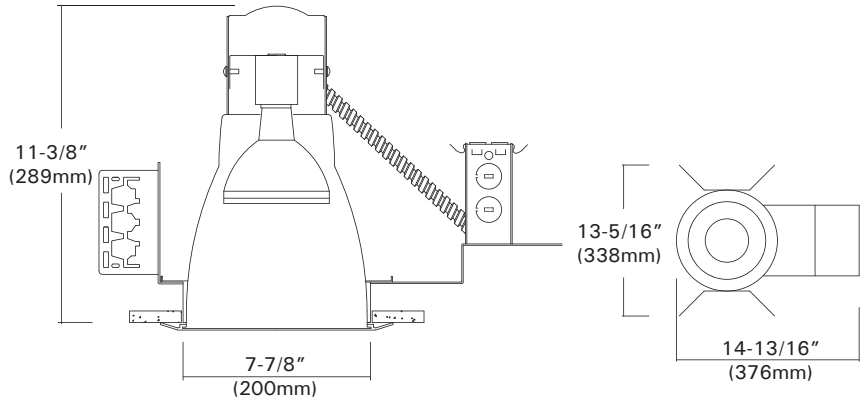
Catalog #		Type
Project		Date
Prepared by		

**METAL HALIDE**



### DESCRIPTION

8" aperture frame-in kits for vertical PAR, ED, B type metal halide lamps. These are designed for use in non-insulated ceiling for natural colored general light on floor and task light with even light beam. Offering a wide choice of trim types including reflector, lensed and wall wash trims.



### DESIGN FEATURES

**Ceiling Cut-out : 8-1/8"**

**Lamp, Max. Watt. / Ballast : 175W / ED17, PAR38, B**

#### ◦ Housing Kit

- C-UL listed, NON-IC, thermally protected housing for vertical PAR, ED, B type metal halide lamps.
- 1-5/8" deep collar may use for various thickness of ceiling.

#### ◦ Junction Box

- Listed for through branch circuit wiring. (Max. 8 No 12 AWG 90°C branch circuit conductors. (4 in, 4 out))
- (5) 1/2" knockouts with true pry-out slots and (4) knockouts with Romex cable clamp.
- Ground wire provided on J-box.

#### ◦ Reflector

- Anodized clear, haze, gold, champagne, pewter color finished full reflectors. And anodized reflectors with black or white milled groove baffle collar and glass lens for shower trim.

#### ◦ Mounting Channel Bracket

- Commercial mounting kit provided up to 5" vertical adjustment, which accommodates 1/2" EMT conduit, optional HB-24 or HBC-24 bar hanger or lathing channels for T-bar grid or concealed spline ceiling.

#### ◦ Socket

- Medium base porcelain socket 4KV pulse rated with nickel plated screw shell.

#### ◦ Socket Cup

- Heat sink aluminum cup with vertically adjustable lampholder is used to control multiple beam spreads.

#### ◦ Ballast

- Electronic ballast for 120 and 277 volts, 50/60Hz operation high power factor, class A sound rated.

#### ◦ Thermal Protector

- Self resetting thermal detector on J-box deactivates fixture if overheating occurs due to improper lamping or mis-applied insulation.
- Install varied detectors according to input voltages.

#### \* Listing

- UL, c-UL listed for damp location.
- UL, c-UL listed for feed through.

### Ordering Information

Housing	Ballast	Lamp(s) Watt.	Voltage	Option
DL-1820H	E : Electronic Metal Halide HID Ballast	39 : 39W    100 : 100W 50 : 50W    150 : 150W 70 : 70W    175 : 175W	-Blank : 120V -27 : 277V	

Example : DL-1820H-E39

# Trims

## 8" Vertical Metal Halide Trims For

DL-8200H, DL-1820H, DL-1820RH

Catalog #		Type
Project		Date
Prepared by		

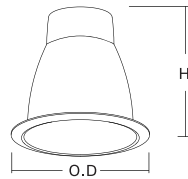
### METAL HALIDE

#### TM-189R-H TM-189RF-H

**Specular Open Reflector**  
**175W ED17, PAR38MH**

White Metal Trim Ring  
O.D : 9-7/16"  
Height : 7-7/8"

\*Symbol (RF) is for Self-flange



#### TM-180B-H

**Baffle w/ Reflector**  
**175W ED17, PAR38MH**

White Metal Trim Ring  
O.D : 9-7/16"  
Height : 7-7/8"



#### TM-181-H

**Wall Wash w/ Kick-off Plate**  
**175W ED17, PAR38MH**

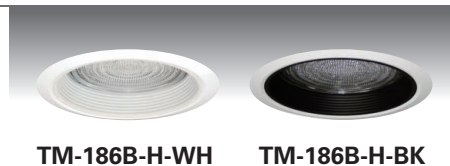
White Metal Trim Ring  
O.D : 9-7/16"  
Height : 7-7/8"



#### TM-186B-H

**Baffle w/ Fresnel Lens**  
**175W ED17, PAR38MH**

White Metal Trim Ring  
O.D : 9-7/16"  
Height : 7-7/8"



#### TM-186R-H

**Reflector w/ Fresnel Lens**  
**175W ED17, PAR38MH**

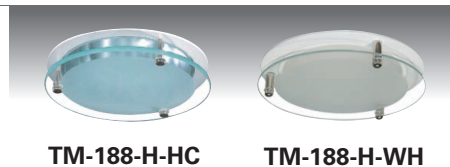
White Metal Trim Ring  
O.D : 9-7/16"  
Height : 7-7/8"



#### TM-188-H

**Reflector w/ Frosted Drop Lens**  
**175W ED17, PAR38MH**

White Metal Trim Ring  
O.D : 9-7/16"  
Height : 7-7/8"



#### TM-188S-H

**Reflector w/ Frosted 3.5" Center Hole in Drop Lens**  
**175W ED17, PAR38MH**

White Metal Trim Ring  
O.D : 9-7/16"  
Height : 7-7/8"



#### TM-1859-H

**Reflector w/ Cross Louver Blade**  
**175W ED17, PAR38MH**

White Metal Trim Ring  
O.D : 9-7/16"  
Height : 7-7/8"



#### TM-187-H

**Reflector w/ Frosted Lens on Surface**  
**175W ED17, PAR38MH**

White Metal Trim Ring  
O.D : 9-7/16"  
Height : 7-7/8"



◆ White metal ring standard.

◆ All trims are damp location, Lens trims are wet location listed.

### ORDERING INFORMATION

Choose the catalog / finish codes that best suit your needs and enter it on the appropriate line.

TRIM MODEL	REFLECTOR	LENS	BAFFLE	METAL RING
	CL :Clear	FR :Fresnel	WH :White	WH :White
	WH :White	AS :All Sanded	BK :Black	BK :Black
	GD :Gold	CL :Clear	SN :Satin Nickel	SN :Satin Nickel
	MA :Matte Platinum	CV :Convex Prismatic	AN :Antique Nickel	AN :Antique Nickel
	CP :Champagne		AC :Antique Copper	AC :Antique Copper
	PR :Pewter		MO :Mocha	MO :Mocha
	HC :Haze Clear		CA :Cappuccino	CA :Cappuccino
			CH :Chrome	CH :Chrome
			UN :Natural Steel	UN :Natural Steel
			PB :Polished Brass	PB :Polished Brass

Examples:

TM-189R-H-HC-WH = Haze Clear Reflector

TM-180B-H-BK-WH = Black Baffle w/Clear Reflector